

Mini Handheld Fiber Microscope



The Mini handheld fiber microscope is configured with dual illumination capabilities and 200X magnification. Several universal and dedicated, interchangeable adapters can be used with the microscope. This unit is battery powered and has a built-in IR-laser attenuation filter. This equipment is designed to provide years of service while delivering true optical performance.

Specification:

Optical magnification: 200X

Power Source: 3 x1.5v button batteries

Light Source: White LED, rated for 100,000 hours

Weight: 0.32 Kg

Size: 190mm L X 35mm D

Controls: Built-in ,p,emetary LED ON/OFF

I- Oblique

II- Coaxial

Safety Filter: Built in IR filter

Adapter Interface: use universal and dedicated, interchangeable adapters

Color: Black.


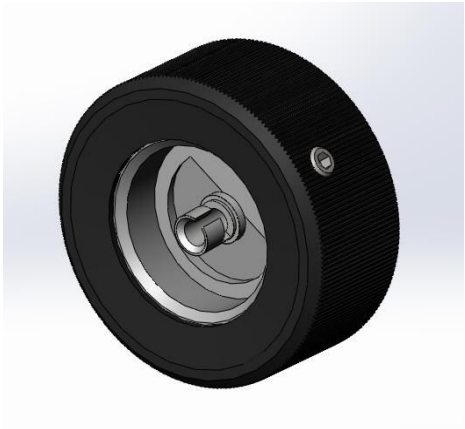

Battery life: 7 hours continuous use

Model Number:

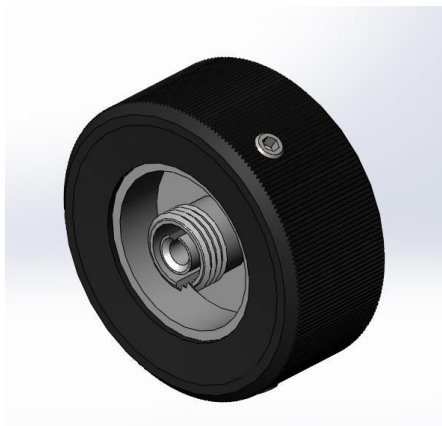
MN-200: 200X

Fiber Optic Adaptors

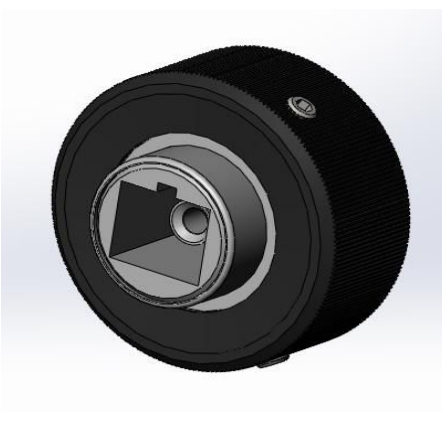
MN series: suitable for the Mini handheld fiber microscope

<p>MN-1.25: suitable for the diameter=1.25mm Fiber optic cable</p>	
<p>MN-2.5(1): suitable for the diameter=2.5mm Fiber optic cable</p>	
<p>MN-2.5(2): suitable for the diameter=2.5mm Fiber optic cable</p>	

MN-FC(2): suitable for the diameter=3.5mm
Fiber optic cable



MN-SC: suitable for the diameter=2.5mm Fiber
optic cable



MN-UAPC: suitable for the diameter=2.5mm
Fiber optic cable

